

# duraflo<sup>®</sup> PRO50



With the WeatherPRO<sup>®</sup> Series PRO50 you no longer need to worry about foul weather. The unique baffle system within the WeatherPRO<sup>®</sup> Series PRO50 wards off driving snow and blistering rain.

- Dade County & CSA approved
- Patented baffle system
- 50 sq. in. of net free area
- Ideal for most roof pitches
- Eliminates bird nesting
- Cold impact resistant down to -40°
- UV resistant polypropylene

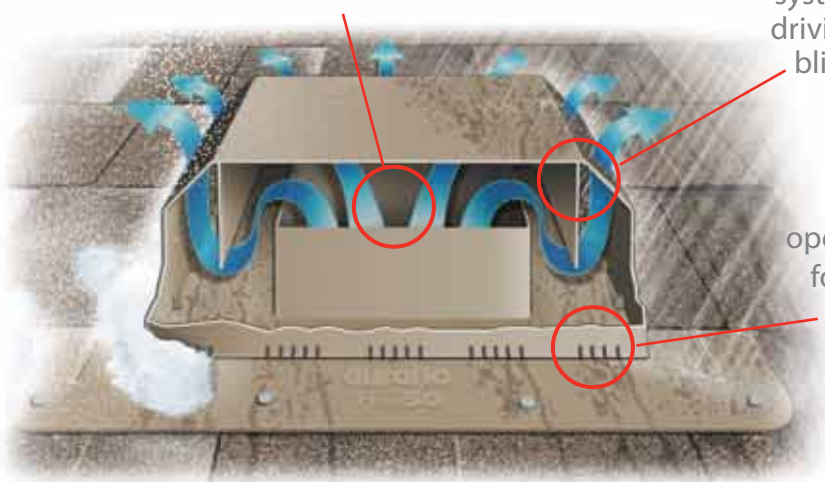
CDN. Patent 2,313,601  
U.S. Patent 6,767,281



Warm moist air exits in a chimney like fashion eliminating shingle stains

Unique baffle system wards off driving snow and blistering rain

Drainage openings allow for water to escape



[www.duraflo.com](http://www.duraflo.com)  
1-800-461-5300

**canplas**<sup>™</sup>

an OAliaxis company

**Model:** WeatherPRO® PRO50, model # 60PRO50

# duraflo® PRO50

## Description:

- Unique, patented, weather infiltration protection internal baffle system
- Net free venting area of 50 sq-in / 322 sq-cm
- Five WeatherPRO PRO50's will ventilate 1000 sq ft of attic space (approx)
- Roof pitch range 2/12 – 14/12
- Injection molded from pure, high grade polypropylene with premium UV inhibitor additives
- Top venting design uses chimney effect to channel moist air away from roof eliminating shingle staining
- Vent cap design with built in weeping holes eliminates bird nesting and water pooling

## Approved Certifications:



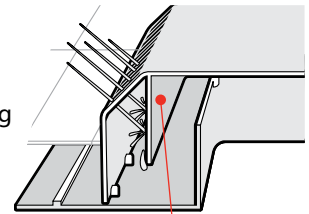
- CSA certified – Plastic Type B roof vents, for installation on sloping surfaces
- Miami Dade High Velocity Hurricane Zone certified: NOA 04.0401.01

**Durability:** Engineered to resist denting, peeling, extreme heat and cold impact to -40

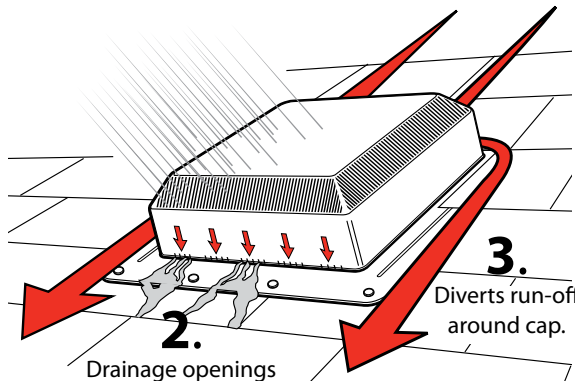
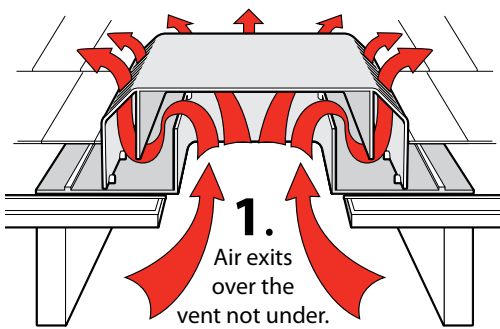
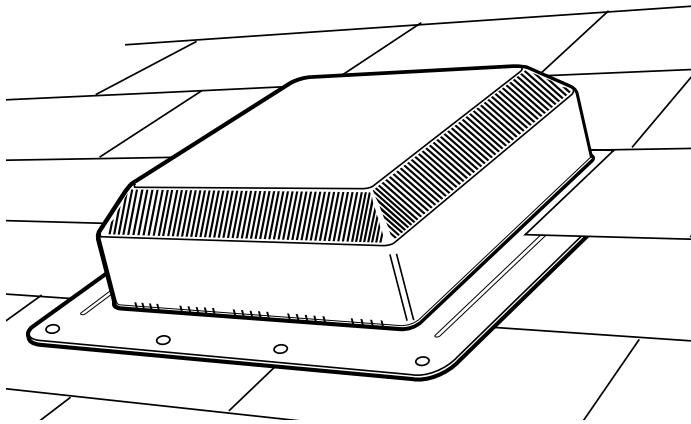
**Colors:** Black, Brown, Weatherwood, Gray, White

## Weather Protection :

WeatherPRO's patented internal baffles deflect water and snow, allowing it to drain harmlessly out the drainage openings. Designed to allow high airflow while providing excellent defense against weather infiltration.



Interior baffle shield

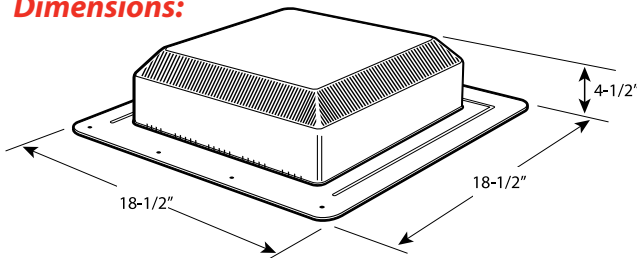


**1.** Unique baffle system wards off driving snow and blistering rain while allowing warm moist air to exit in a chimney like fashion eliminating shingle stains.

**2.** Drainage openings allow for water to escape.

**3.** PRO50 design diverts water around vent cap. The flat exterior wall acts as second weather defense system while improving airflow.

## Dimensions:



DESCRIPTION	PART #	SIZE	CTN. QTY.	WT.CTN. (LBS.)
Black	60PRO50BL	18-1/2" x 18-1/2" x 4-1/2"	9	16
Brown	60PRO50BR	18-1/2" x 18-1/2" x 4-1/2"	9	16
Gray	60PRO50G	18-1/2" x 18-1/2" x 4-1/2"	9	16
White	60PRO50W	18-1/2" x 18-1/2" x 4-1/2"	9	16
Weatherwood	60PRO50WW	18-1/2" x 18-1/2" x 4-1/2"	9	16

**Canplas Industries Ltd.**  
500 Veterans Dr., P.O. Box 1800  
Barrie, Ontario  
Canada L4M 4V3  
Tel: (705) 726-3361  
Fax: (705) 726-8991  
Toll Free: 1-800-461-5300

**duraflo®**  
WE KNOW VENTILATION

E-mail: [duraflo@canplas.com](mailto:duraflo@canplas.com)  
[www.duraflo.com](http://www.duraflo.com)

**canplas®**  
an OAliaxis company