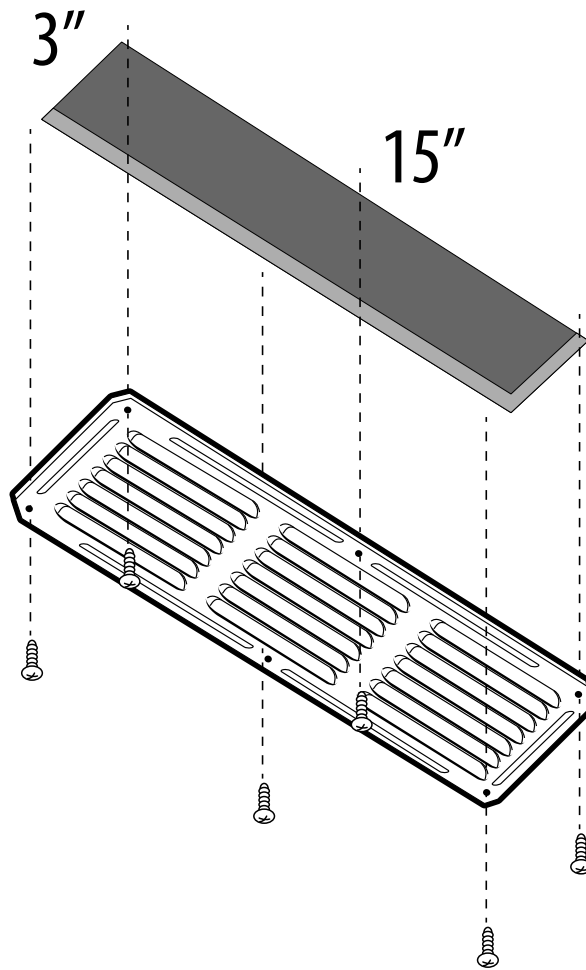


# **duraflo**<sup>®</sup> INSTALLATION GUIDE

## **16 x 4 Metal Soffit Vent Installation Instructions**



Cut a 15" x 3" hole in the soffit. Secure vent to soffit with screws. (Screws not included)

Canplas Industries Ltd.  
500 Veterans Drive, P.O. Box 1800  
Barrie, Ontario, Canada L4M 4V3  
Tel. (705) 726-3361  
Toll Free 1-800-461-5300  
Fax: (705) 726-2186

[www.duraflo.com](http://www.duraflo.com)

**canplas**<sup>®</sup>