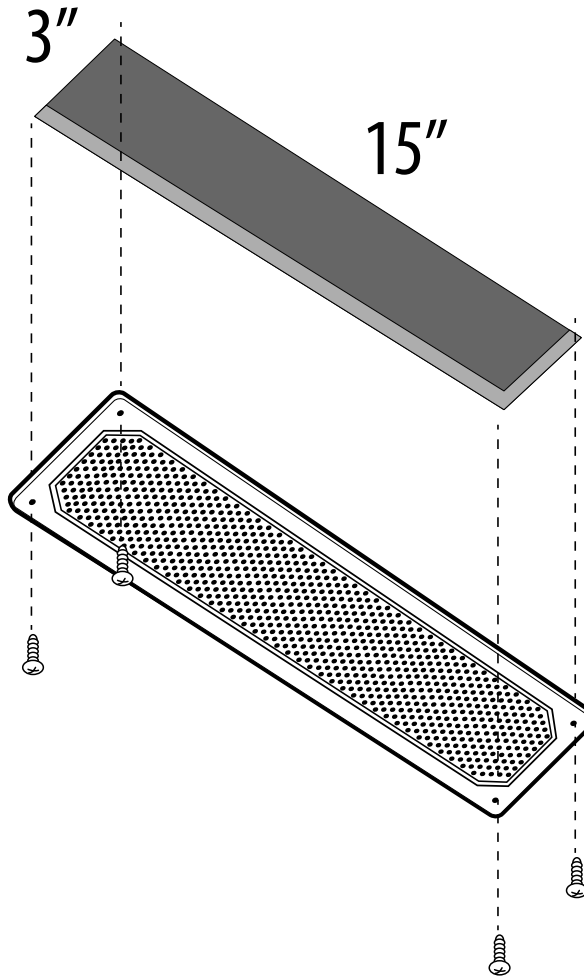


duraflo[®] INSTALLATION GUIDE

16 x 4 Plastic Soffit Vent Installation Instructions



Cut a 15" x 3" hole in the soffit. Secure vent to soffit with screws. (Screws not included)

Canplas Industries Ltd.
500 Veterans Drive, P.O. Box 1800
Barrie, Ontario, Canada L4M 4V3
Tel. (705) 726-3361
Toll Free 1-800-461-5300
Fax: (705) 726-2186

www.duraflo.com

canplas[®]