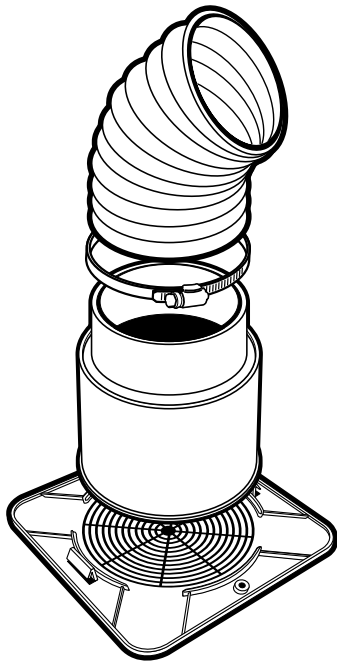


duraflo[®] INSTALLATION GUIDE

Bathroom Soffit Exhaust Vent Installation Instructions

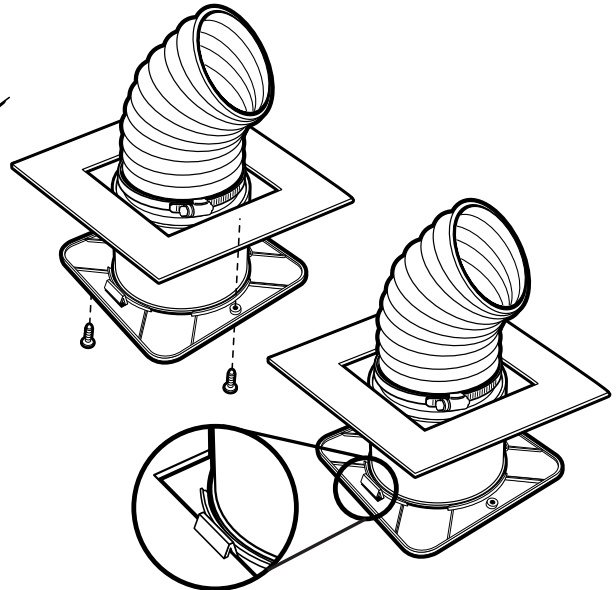


Remove the grill plate from the body. Using the body as a template cut a 6" round or square hole in soffit adjacent to the exit of the ducting from the fan. Drop the end of the ducting through this hole.



Using a hose clamp, attach the body of the exhaust vent to the ducting, cutting the adapter body if necessary to accommodate a 5" duct hose.

EXERCISE CAUTION WHEN CUTTING!



Snap grill plate onto the body of the exhaust vent. Carefully push the body and attached hose back through the opening in the soffit and fasten the grill plate to the soffit using the clips or screws as necessary.

Canplas Industries Ltd.
500 Veterans Drive, P.O. Box 1800
Barrie, Ontario, Canada L4M 4V3
Tel. (705) 726-3361
Toll Free 1-800-461-5300
Fax: (705) 726-2186

www.duraflo.com

canplas[®]