



# duraflo® Flexible

BASE FLASHING

*Engineered material stays flexible in extreme cold conditions*



DESCRIPTION	PART #	CTN. QTY
<b>PIPE SIZE 1.5"</b> <b>FLANGE SIZE 13" x 15"</b>		
Black	551141BL	12
<b>PIPE SIZE 2"</b> <b>FLANGE SIZE 13" x 15"</b>		
Black	551142BL	12
<b>PIPE SIZE 3"</b> <b>FLANGE SIZE 16-1/4" x 18"</b>		
Black	551143BL	12
<b>PIPE SIZE 4"</b> <b>FLANGE SIZE 16-1/4" x 18"</b>		
Black	551144BL	12

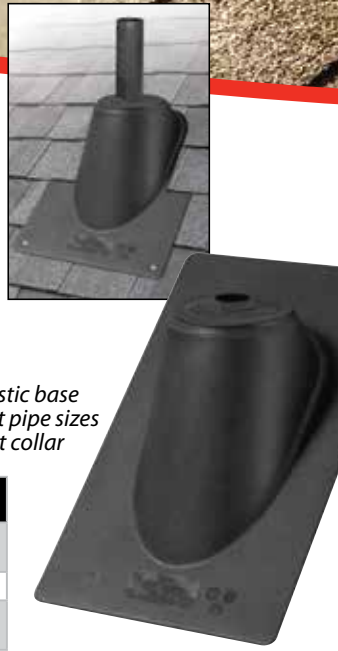
- Suitable for roof pitches from 2/12 to 12/12
- UV resistant polypropylene
- Built in water deflectors
- Cold impact resistant to -40°

## duraflo® Steep Roof Flashing

*Suitable for pitches from 2/12 to 20/12*

- Patented one-piece design
- Easy installation with thermoplastic base
- Tear away ring sizing for different pipe sizes
- Double seal, No-Calk® water tight collar

DESCRIPTION	PART #	CTN. QTY
<b>PIPE SIZE 1.5" - 3"</b> <b>FLANGE SIZE 11-1/4" x 19"</b>		
Black	5511930	6
<b>PIPE SIZE 3" - 4"</b> <b>FLANGE SIZE 13" x 20-1/8"</b>		
Black	5511931	6



## duraflo® O-Guard™ Roof Flashing Seal Protector

*Protection from harmful UV rays and weather conditions*

- Easy installation - slide O-Guard over pipe and flashing
- Does not reduce pipe size
- Unique design protects the seal

DESCRIPTION	PART #	CTN. QTY
<b>PIPE SIZE 3"</b>		
Black	5503	12



**Canplas Industries Ltd.**  
500 Veterans Drive, P.O. Box 1800  
Barrie, Ontario  
**Canada L4M 4V3**  
**1-800-461-5300**  
Tel: (705) 726-3361  
Fax: (705) 726-2186

**duraflo®**  
www.duraflo.com



**Roof Flashings®**



**duraflo®**  
WE KNOW VENTILATION

E-mail: [duraflo@canplas.com](mailto:duraflo@canplas.com) **canplas**

**duraflo®**



# Thermoplastic Base Flashing

- Suitable for roof pitches from 2/12 to 12/12
- UV resistant polypropylene
- Built in water deflectors
- Cold impact resistant to -40°

DESCRIPTION	PART #	CTN. QTY.
<b>PIPE SIZE 1.5" FLANGE SIZE 15" x 13"</b>		
Black	551101BL	12
Brown	551101BR	12
Grey	551101G	12
Weatherwood	551101WW	12
<b>PIPE SIZE 2" FLANGE SIZE 15" x 13"</b>		
Black	551102BL	12
Brown	551102BR	12
Grey	551102G	12
Weatherwood	551102WW	12
<b>PIPE SIZE 3" FLANGE SIZE 16-1/4 x 16-1/4"</b>		
Black	551103BL	12
Brown	551103BR	12
Grey	551103G	12
Weatherwood	551103WW	12
<b>PIPE SIZE 4" FLANGE SIZE 18" x 16-1/4"</b>		
Black	551104BL	12
Brown	551104BR	12
Grey	551104G	12
Weatherwood	551104WW	12



**duraflo®**



# StretchFit

PIPE FLASHING

*The StretchFit requires no adjustment, no cutting and no tearing!*



DESCRIPTION	PART #	CTN. QTY.
<b>PIPE SIZE 1.5" to 2" FLANGE SIZE 9.25" x 13"</b>		
Black	551222BL	12
Brown	551222BR	12
Grey	551222G	12
Weatherwood	551222WW	12
<b>PIPE SIZE 3" to 4" FLANGE SIZE 12" x 15.5"</b>		
Black	551224BL	12
Brown	551224BR	12
Grey	551224G	12
Weatherwood	551224WW	12

*StretchFit seal fits 1.5" - 2" and 3" - 4" vent pipe sizes*

**duraflo®**



# Multiple 3 in 1 Size FLASHING

*Cut & Peel for 1.5" to 3" vent pipe sizes*



DESCRIPTION	PART #	CTN. QTY.
<b>PIPE SIZE 1.5" to 3" FLANGE SIZE 12" x 15"</b>		
Black	551233BL	12
Weatherwood	551233WW	12
Black Bulk	551233BULKBL	40

- Suitable for roof pitches from 2/12 to 12/12
- UV resistant polypropylene
- Built in water deflectors
- Cold impact resistant to -40°