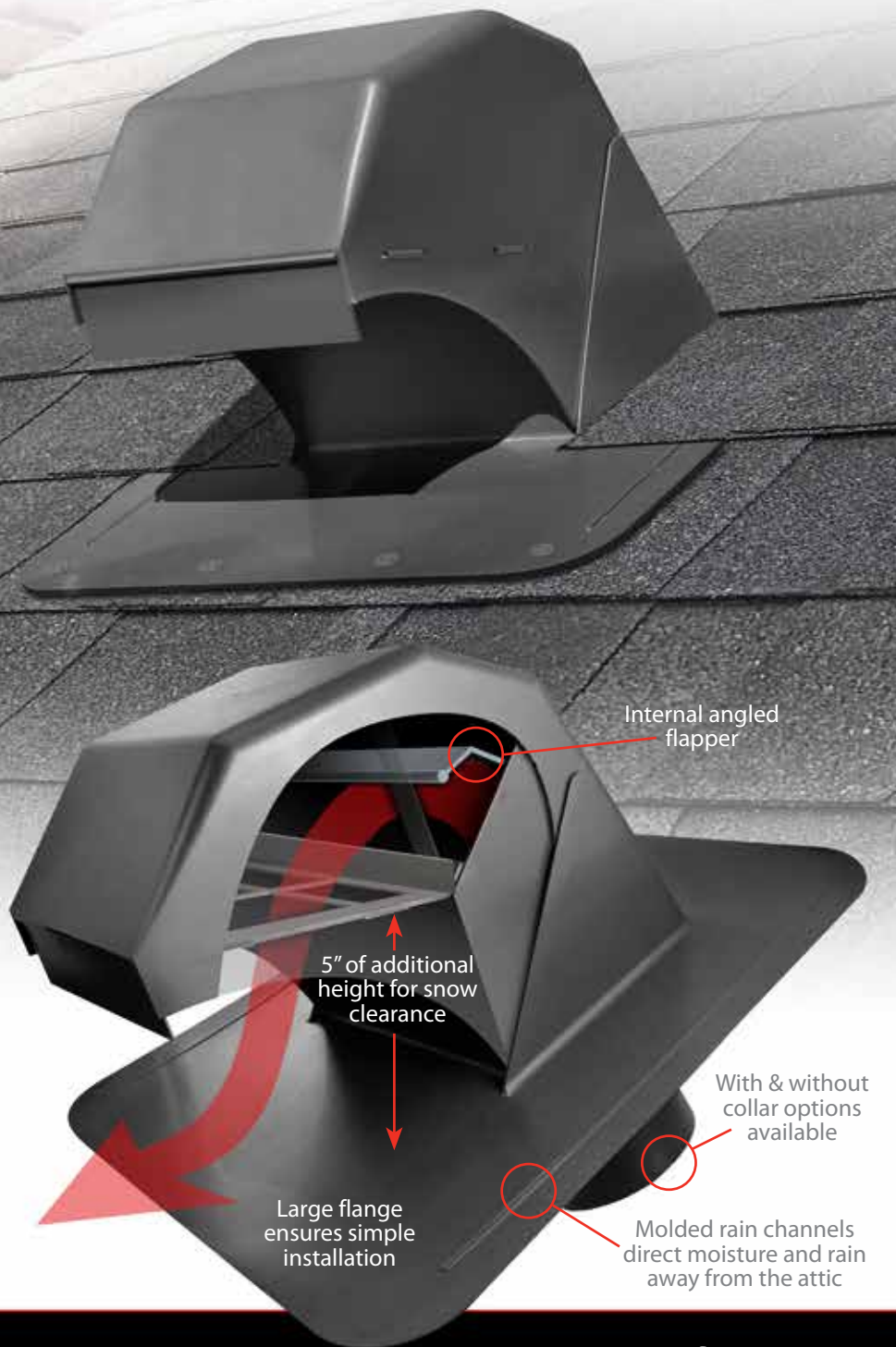


duraflo[®] **Gooseneck** ROOF **DRYER** EXHAUST VENT



**Ideal for
condominiums,
townhouses,
apartment
buildings and
homes with an
upstairs laundry
room**

- Provides weather protection with 5" of additional height for snow clearance
- Attaches to 4", 5" or 6" duct
- Additional collar available which fits a 6", 7" or 8" duct
- Available in 4 colours: black, brown, weatherwood and grey



Internal angled flapper

5" of additional height for snow clearance

Large flange ensures simple installation

With & without collar options available

Molded rain channels direct moisture and rain away from the attic

Constructed for:



COLD INSTALLATIONS



LIGHTWEIGHT HANDLING

Resistant to:



WIND



SNOW



RAIN



UV



CRUSHING & DENTING

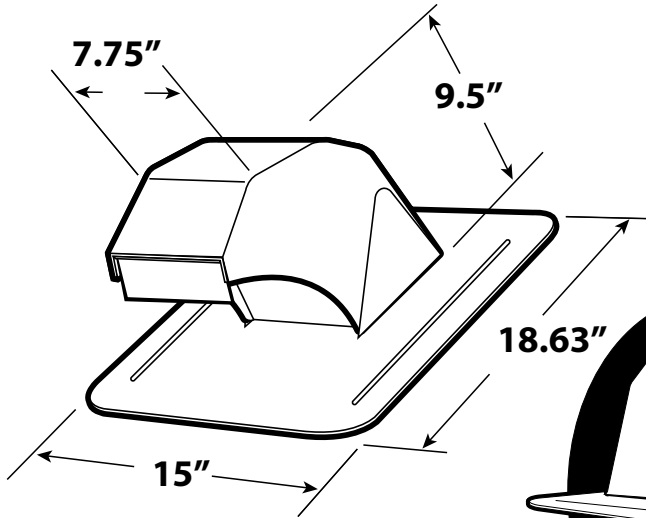
www.duraflo.com

1-800-461-5300

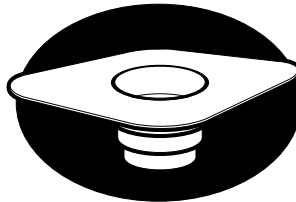
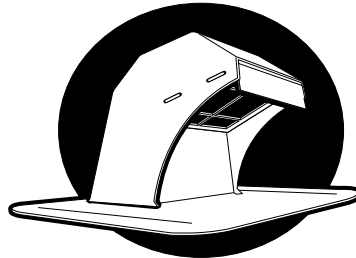
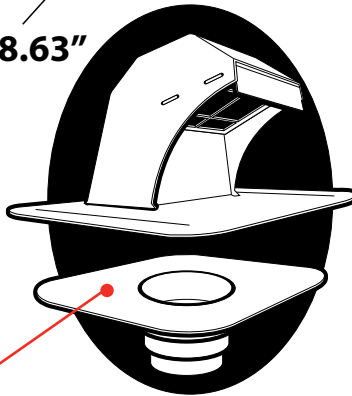
canplas[®]

Models: # 6032 and # 6033

duraflo[®] Gooseneck ROOF DRYER EXHAUST VENT



Collar
accepts 4",
5" and 6"
duct pipe



Description:

Ideal for condominiums, townhouses, apartment buildings and homes with an upstairs laundry room

- Provides weather protection with 5" of additional height for snow clearance
- Attaches to 4", 5" or 6" duct
- Additional collar available which fits a 6", 7" or 8" duct
- Available in 4 colours: black, brown, weatherwood and grey

Durability:

Engineered to resist denting, peeling, extreme heat and cold, impact resistant to -40°

Colours:

Black, Brown, Grey, Weatherwood

6032 GOOSENECK ROOF DRYER EXHAUST VENT - WITH COLLAR

DESCRIPTION	PART #	CTN. QTY.	SKID
Black	6032BL	1	24
Brown	6032BR	1	24
Grey	6032G	1	24
Weatherwood	6032WW	1	24

6033 GOOSENECK ROOF DRYER EXHAUST VENT - WITHOUT COLLAR

DESCRIPTION	PART #	CTN. QTY.	SKID
Black	6033BL	1	24
Brown	6033BR	1	24
Grey	6033G	1	24
Weatherwood	6033WW	1	24

GOOSENECK VENT ADAPTER COLLAR 4",5",6"

DESCRIPTION	PART #	CTN. QTY.	SKID
Black	6030-4BC	8	144

Canplas Industries Ltd.
500 Veterans Dr., P.O. Box 1800
Barrie, Ontario
Canada L4M 4V3
Tel: (705) 726-3361
Fax: (705) 726-2186
Toll Free: 1-800-461-5300

E-mail: duraflo@canplas.com
www.duraflo.com

canplas[®]