

duraflo[®] PRO Turbo



Extreme Weather Protection

- No Maintenance Required
- High Performance Airflow
- Internal Baffle Protection System
- Easy Level Installation

The PROTurbo combines the field tested benefits of the patented WeatherPRO internal baffle system with multi stage, high volume, airflow for superior attic ventilation.

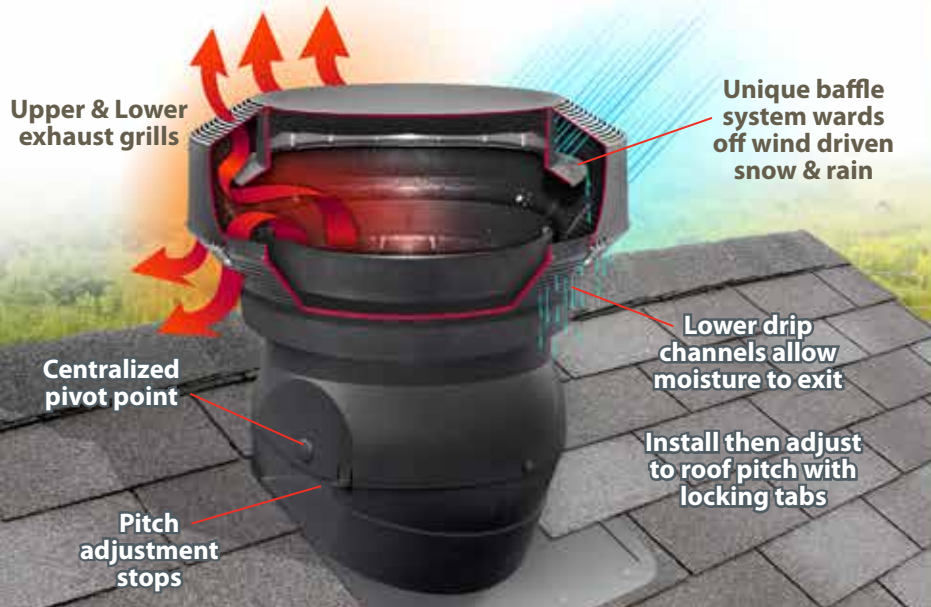
- Pivoting top with locking pitch tabs accommodate 3/12 to 12/12 roof pitches
- Crush, dent & corrosion resistant
- UV & Cold impact resistant to -40
- Available in Black, Brown, Grey & Weatherwood
- **117 sq. in. of net free area**
- CDN Patents 2,536,023 & 2,803,775
- USA Patent 7,774,023



CATEGORY 2
HURRICANE RATED

TDI

Texas Department of Insurance



www.duraflo.com

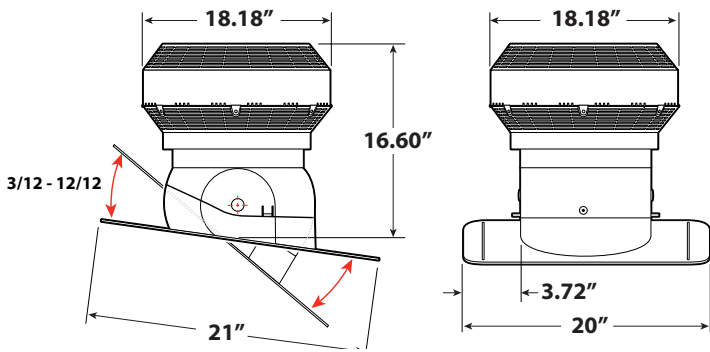
1-800-461-5300

canplas[®]

Model #: 60PRO117

duraflo® PRO Turbo

Dimensions:



Description:

- No internal or external moving parts – requires no maintenance
- Net free venting area of 117 sq-in / 755 sq-cm
- One Turbo will ventilate 1000 sq ft of attic space (approx) – regardless of wind speed
- Pivoting top with locking pitch guide tabs – 3/12 to 12/12
- Large flashing allows for easy installation
- Injection molded from pure, high grade polypropylene with premium UV inhibitor additives

Standards:

- CSA Approved
- Category 2 Hurricane Rated
- Texas Department of Insurance

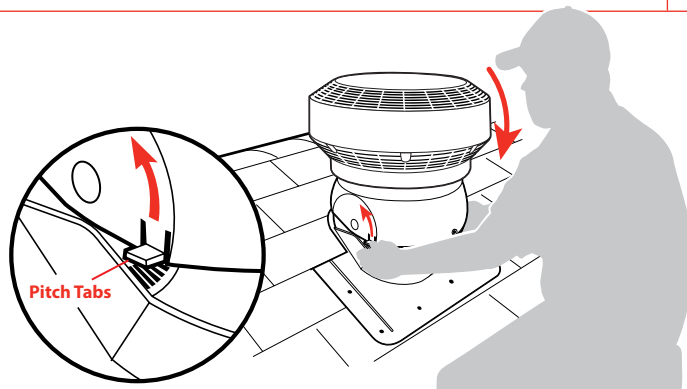
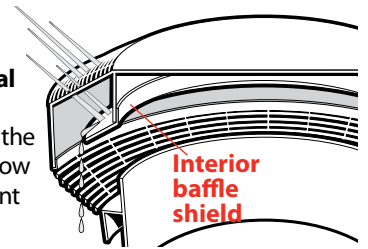


Durability: Engineered polypropylene resists denting, crushing, extreme heat and is cold impact resistant to -40°

Specifier: Visit ARCAT.com for complete 3-part master format specifications.

Weather Protection:

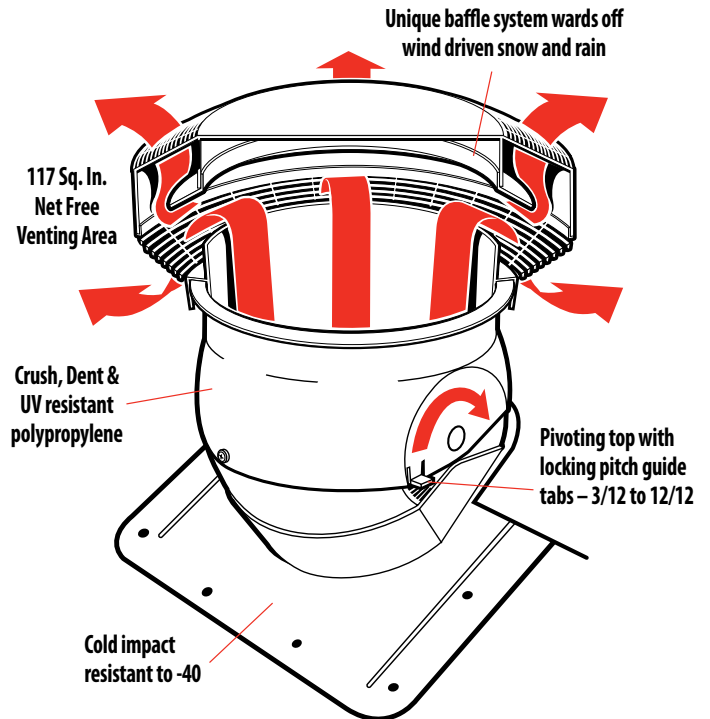
WeatherPRO's patented internal baffles deflect water and snow, allowing it to drain harmlessly out the drainage openings. Designed to allow high airflow while providing excellent defense against weather infiltration.



Easy Level System:

Lightweight, no-assembly design makes for easy handling. Setting the pitch is quick and simple with centralized pivot points, built-in adjustment tabs and pitch stops.

DESCRIPTION	PART #	SIZE	CTN. QTY.
Black	60PRO117BL	18.18" x 20" x 16.60"	1
Brown	60PRO117BR	18.18" x 20" x 16.60"	1
Grey	60PRO117G	18.18" x 20" x 16.60"	1
Weatherwood	60PRO117WW	18.18" x 20" x 16.60"	1



Canplas Industries Ltd.
500 Veterans Dr., P.O. Box 1800
Barrie, Ontario
Canada L4M 4V3
Tel: (705) 726-3361
Fax: (705) 726-2186
Toll Free: 1-800-461-5300

duraflo®
WE KNOW VENTILATION

E-mail: duraflo@canplas.com
www.duraflo.com

canplas®