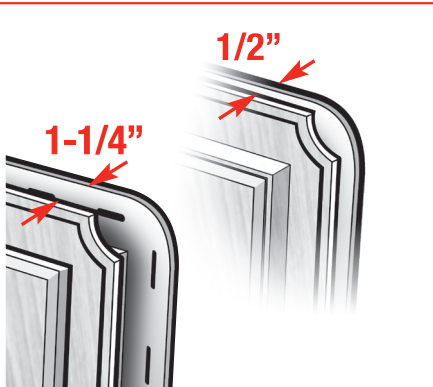


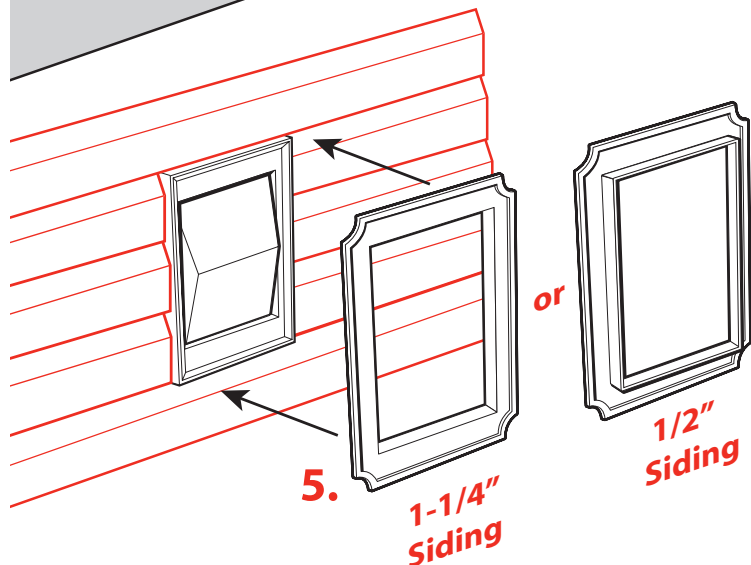
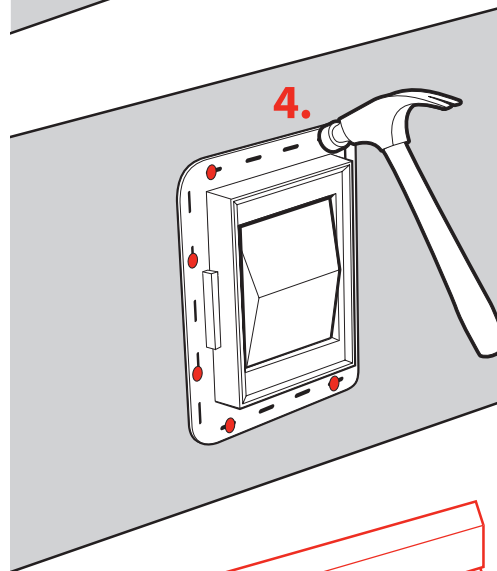
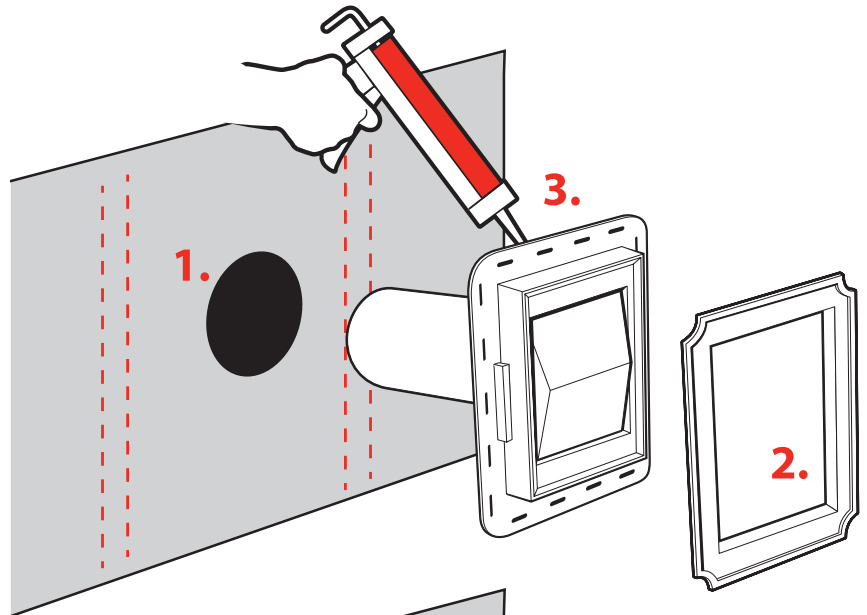
duraflo[®] INSTALLATION GUIDE

641010-00 Dryer Vent, Siding Application

Reversible Trim Ring Model, Accommodates 1/2" to 1-1/4" siding



By simply reversing the trim ring, the fixture will accommodate 1/2" to 1-1/4" siding.



For New Construction

1. Cut a circular hole in wall, the width of the dryer vent extension tube.

Ensure there is no electrical wires or obstructions in the way before hole is cut.

2. Remove outer trim ring for re-use later.
3. It is recommended to apply sealant to the rear side of vent flange.
4. Secure dryer vent to wall using screws or nails.
5. Push on trim ring until it snaps into place.