

# duraflo<sup>®</sup>

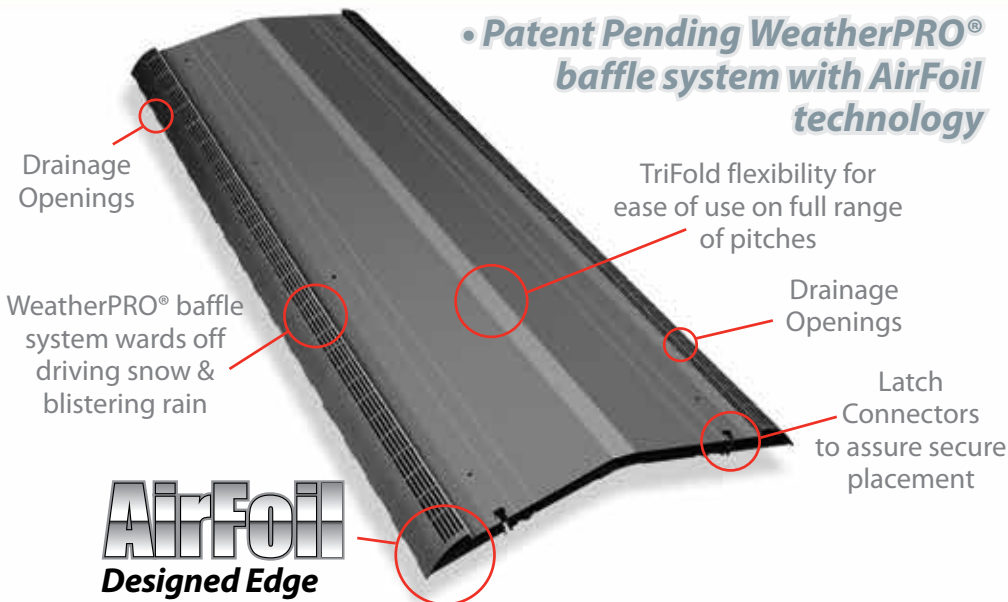
# PRO Ridge

# SOLID



PRORidge Airfoil designed edge allows smooth airflow over the ridge line maximizing effective ventilation from the attic space while deflecting blowing debris. Internal baffles and drainage openings easily deflect and direct away extreme weather.

• Patent Pending WeatherPRO<sup>®</sup> baffle system with AirFoil technology



- Net Free Area: 18.3 sq.in./lin.ft.
- Black with UV inhibitors
- Molded nail supports
- Code regulated insect grill

**TDI**  
Texas Department of Insurance

[www.duraflo.com](http://www.duraflo.com)  
1-800-461-5300

**canplas**<sup>™</sup>

**Model:** WeatherPRO PRORidge, model #6094

# duraflo<sup>®</sup> PRO Ridge SOLID

**AirFoil  
Technology**



**Description:**

- Engineered with AirFoil Technology – based on the Bernoulli principle to maximize air lift
- Net free venting area of 18.3 sq-in per linear foot
- Four pieces of WeatherPRO<sup>®</sup> PRORidge vent will ventilate 1000 sq ft of attic space (approx)
- Patented internal weather infiltration protection baffle system
- Roof pitch range 3/12 – 12/12
- 4 foot sections, 12 pieces per carton
- Latch connectors on each end, built-in end caps every 3 in
- Injection molded from pure, high grade polypropylene with premium UV inhibitor additives

**Standards:**

- Texas Department of Insurance



**Durability:**

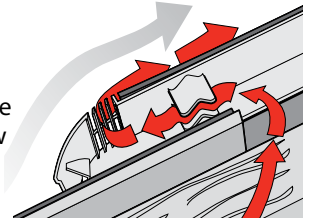
Engineered to resist denting, peeling, extreme heat and cold impact to -40

**Colours:**

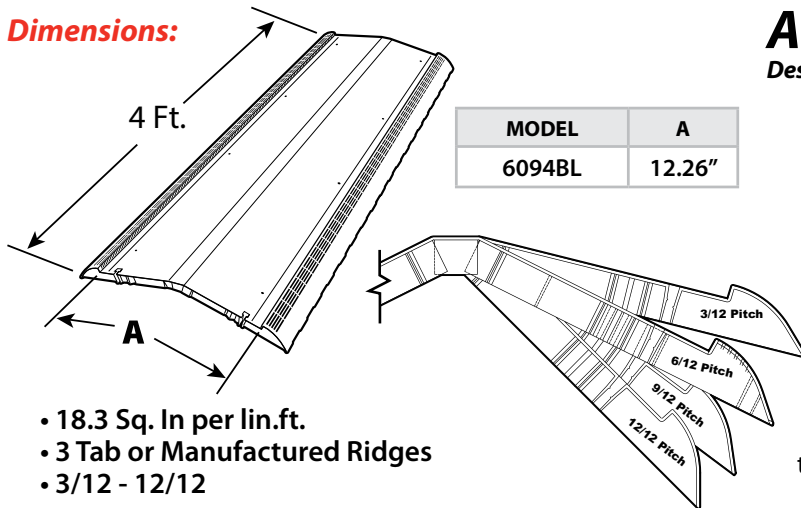
Black

**Weather Protection :**

WeatherPRO's patented internal baffles deflect water and snow, allowing it to drain harmlessly out the drainage openings. Designed to allow high airflow while providing excellent defense against weather infiltration.



**Dimensions:**

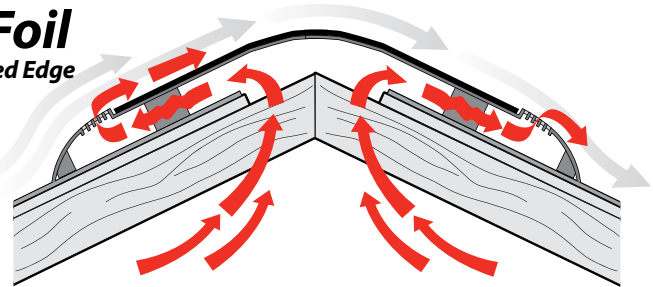


MODEL	A
6094BL	12.26"

- 18.3 Sq. In per lin.ft.
- 3 Tab or Manufactured Ridges
- 3/12 - 12/12

DESCRIPTION	PART #	CTN. QTY.
Black	6094BL	12

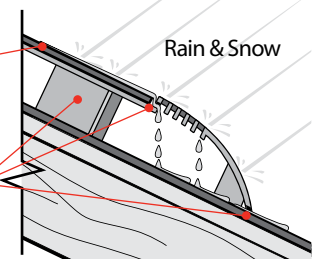
**AirFoil  
Designed Edge**



PRORidge Airfoil designed edge allows smooth airflow over the ridge line maximizing effective ventilation from the attic space while deflecting blowing debris.

Shingles install into recessed top, allowing cleaner installation appearance while maximizing airflow over ridge.

Internal baffles and drainage openings easily deflect and direct away extreme weather.



**Canplas Industries Ltd.**  
500 Veterans Dr., P.O. Box 1800  
Barrie, Ontario  
Canada L4M 4V3  
Tel: (705) 726-3361  
Fax: (705) 726-2186  
Toll Free: 1-800-461-5300



E-mail: [duraflo@canplas.com](mailto:duraflo@canplas.com)  
[www.duraflo.com](http://www.duraflo.com)

